



Shenzhen Xintegu Hardware Co., Ltd.

www.szxintegu.com

Fastener & Hardware Integrated Service Provider | Innovative
Fastening Solution Provider

Innovative Fastening, Foundational Quality

Catalogue

1. Technology R&D
2. Company Profile
3. Core Advantages
4. Manufacturing Capability
5. Patented Hardware Parts
6. Micro Precision Parts Series
7. Industry Customized Hardware Components
8. Core Product Portfolio
9. Certificates & Patents
10. Certificates & Authorizations
11. Team Profile
12. Case Studies
13. Contact Us



Custom Non-standard Fasteners

Technology R&D

R&D Team

We have established a senior core R&D team, including core technical talents such as chief engineer of mechanical structure, chief engineer of mold production, technical director, and R&D founder, with rich experience in R&D and implementation in the fastening field.

R&D Achievements

Deeply engaged in the field of anti-loosening fastening technology, we have obtained a number of invention patents. Core products such as magnetic anti-loosening easy-disassemble nut column, fish-shaped lock clip (US patented), three-jaw external thread lock clip have independent intellectual property rights, solving core industry pain points such as anti-loosening and easy disassembly.

R&D Direction

Continuously focus on high-end precision fastening technology, new material application, and automated production process upgrade, carry out customized technology R&D and product iteration for the special needs of high-end fields such as automotive, aerospace and medical.

Core Technology R&D Team



Chief Engineer
OF
Mechanical Structure

Chief Engineer
OF
Mold Production

Technical Director

R&D Founder

Core R&D Team

Company Profile

Enterprise Positioning

Xintegu Hardware is a professional integrated service provider of fasteners and hardware parts integrating R&D, production and sales. We have been deeply engaged in the field of precision metal fastening, providing one-stop fastening solutions for multiple industries.

Application Fields

Products are widely used in core fields such as electronic communication, medical equipment, automotive industry, smart home, etc. With stable quality and customization capability, we have been recognized by global customers.

Quality Certification

Our enterprise has been certified with ISO 9001 Quality System Certification, and Factory IATF16949 Automotive Industry Quality Management Certification. Implement strict quality control standards throughout the process, all finished products undergo full-dimensional quality inspection before delivery.



Dongguan Fenggang Production Base

Core Advantages

Full-chain Customization Capability

Support full-process OEM/ODM customization service, from product R&D, mold design to mass production delivery, one-stop meeting customer's non-standard customization needs.

Global Quality Standard

Follow ISO quality management system, benchmark against international precision manufacturing standards, products adapt to the strict requirements of high-end markets at home and abroad.

Patent Technology Barrier

We have a number of invention and utility model patents, many anti-loosening fastening products have obtained US patent certification, core technology leads the industry.

Full-category Supply System

Covering full range of products including standard fasteners, custom non-standard parts, structural assembly parts, precision machined parts, one-stop matching of customer needs.

Manufacturing Capability

Xintegu has fully automated precision manufacturing lines, with over 300 sets of processing equipment. Relying on advanced CNC processing technology and automated production system, we achieve large-scale mass production with high precision, efficiency and stability, and also support flexible production of small-batch non-standard parts.



Core Processing Equipment

Equipped with advanced CNC lathes, fully automatic tapping machines, drilling machines, infrared screening machines and other fully automated equipment, realize full-process automated processing from blank to finished product.



Full-process Quality Control System

Set multiple quality inspection nodes from raw material warehousing, production process to finished product delivery, implement full-size inspection and performance testing, ensure every product meets quality standards.



Large-scale Delivery Capability

We have a stable supply chain system and large-scale production capacity, which can meet the on-time delivery of large-batch orders, and also adapt to the flexible production needs of multi-variety, small-batch custom orders.

Full-process Manufacturing Workflow

We have complete automated processing lines covering the full production process of fasteners, from raw material forming to finished product sorting and packaging, to ensure high efficiency and stable quality.



Multi-station Forming

Our advanced multi-station cold forming machines realize high-efficiency blank processing, supporting the production of various non-standard fasteners with stable precision.



Automatic Sorting

Equipped with automatic sorting machines, we realize high-precision screening of finished products, effectively eliminating defective products and ensuring consistent quality.



Automated Packaging

Our automatic packaging machines realize full-automatic counting, bagging and sealing of finished products, ensuring accurate packaging and efficient delivery preparation.

Patented Hardware Parts



Magnetic Anti-Loosening Quick-Disassembly Barrel Nut Furniture Connector

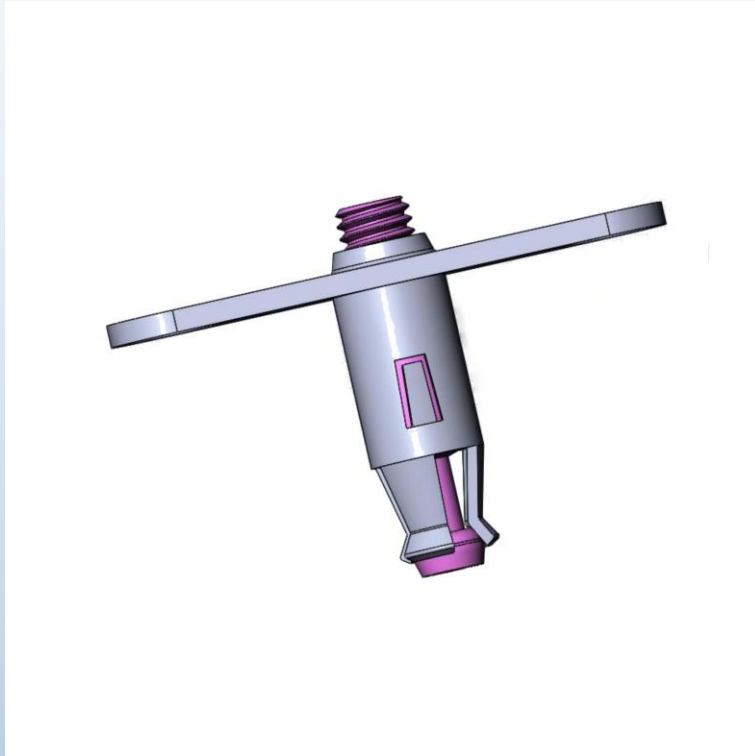
Featuring proprietary patented design, this connector enables quick assembly and disassembly via magnetic structure. Its hidden-style construction ensures an aesthetically pleasing appearance and effortless installation and removal.



New Fish-Fin Type Anti-Loosening Combined Furniture Fastener

This is a U.S. patent-pending product featuring a unique fish-fin structure. It allows easy assembly and disassembly and delivers exceptional anti-loosening and anti-backout performance.

Patented Hardware Parts



Three-jaw External Thread Lock Clip (Patented Product)

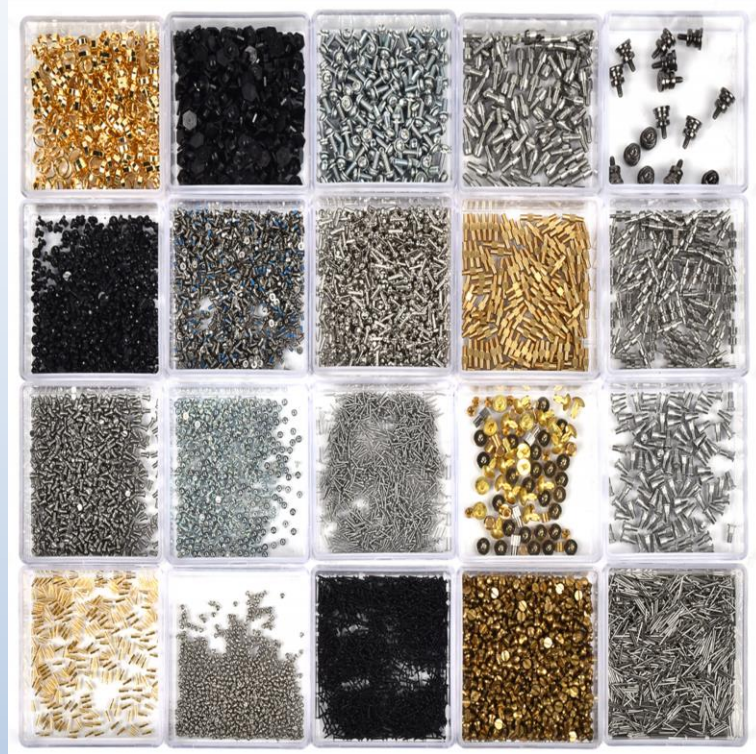
Three-jaw Interlocking Structure, easy installation, excellent anti-loosening performance, solves the loosening problem of external thread connection.



Mechanical Non-Loosening Nut Kit

Featuring pure mechanical anti-loosening structure, this kit delivers exceptional vibration resistance. It is ideal for applications subjected to extreme multi-directional vibration, such as aerospace, wind energy, high-speed rail, and other similar fields, with no adverse impact on mating screws.

Micro Precision Parts Series



Micro Screws

Precision micro screws ranging from 0.5mm to 3mm, with abundant inventory available and custom solutions offered.



Micro Precision Machined Parts

Ultra-small Precision Parts, suitable for Micro Motors, Precision Instruments, with tolerance up to $\pm 0.01\text{mm}$.

Industry Customized Hardware Components



High Nickel Automotive Stator Sheet

High Nickel Alloy Material, High-precision Stamping Processing, suitable for core components of new energy vehicle motors, high temperature resistance, wear resistance.



Micro Shock Absorbers

Primarily designed for high-demand vibration-damping applications in consumer products, such as children's toy cars, drones, and other related equipment.

Core Product Portfolio



Stainless Steel Air Nozzle & Cable Waterproof Connector

Customized stainless steel air nozzle & cable waterproof connectors of all types and sizes



Precision CNC Machined Parts

Offering turning and precision lathe machining for various metal structural components
(Tolerance: ± 0.005)

Core Product Portfolio



New Switch Device

This is an electric vehicle switch we co-designed and manufactured with a golf cart manufacturer.



Titanium Screw

Specification Range: M2-M20 Full Size Support
| Application: Aerospace, Medical Equipment,
Chemical Anti-corrosion Scenarios.

Core Product Portfolio



Locking Non-Loosening Nut

This is a new type of non-loosening nut. It consists of a nut and a bushing, achieving locking engagement on threads to prevent any loosening. Specifications: M12 - M36.



Dacromet Patch Series

This screw solution is developed for well-known domestic automakers to address common screw issues including loosening, rusting, and brittle fracture. Sizes M2-M12, available in both black and grey, are in stock with long-term stable supply.

Core Product Portfolio



Ball Plunger (Ball Detent Screw)

Widely applied in robots, manual assembly fixtures, automotive and consumer electronics, it enables high-frequency positioning, and fulfills positioning requirements ranging from micro-force light touch to medium-load applications.



Aluminum Screw

This emerging material for fasteners, developed in recent years, mainly delivers lightweight fastening performance, and is widely applied in scenarios such as robots and drones.

Core Product Portfolio



Custom Combination Screws

Combination screws of various specifications and shapes, with thread sizes from M1.2 to M12, and lengths ranging from 3mm to 500mm.



Selfie Stick Hardware Connectors

Hardware connectors for brackets and selfie sticks. Our core advantage is that we can deliver multiple structural components as a combined kit.

Core Product Portfolio



PEEK Screws & Nuts

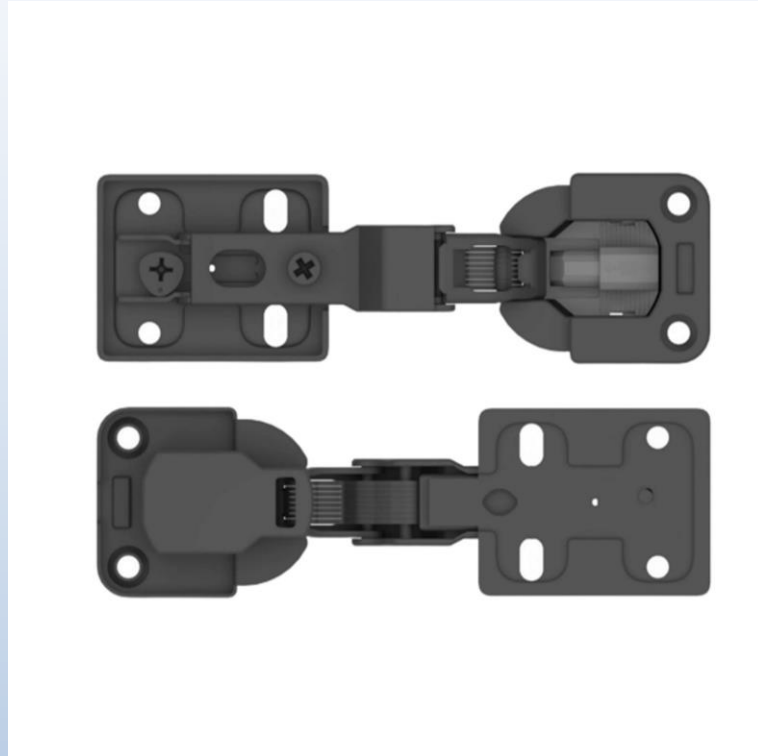
This product has seen growing application in recent years. Its core advantages include insulation, high temperature resistance, corrosion resistance, and high strength. It is widely used in industries such as new energy vehicles, aerospace, medical devices, and semiconductors.



Standard & Special-shaped Nuts

We offer standard nuts, aluminum-specific nuts, and customized nuts of all types.

We are building our own furniture brand, with our factory based in Jieyang, Guangdong.



New Hinges

We offer various types of hinges, and provide customized R&D and manufacturing services for all kinds of new hinges for our clients.



Hinges & Furniture Hardware

Our factory in Jieyang City specializes in customized R&D, manufacturing, and packaging of various furniture hardware connectors for our clients.

Precision CNC Machined Parts



Copper Precision Machined Parts

Various types of precision copper machined parts, as well as injection molded nuts and knurled nuts.



Custom Non-standard Fasteners

Custom processing per drawings/samples, for special structure needs

Certificates & Patents

Xintegu has accumulated a number of independent intellectual property rights, including utility patents and design patents, which fully demonstrate our independent R&D capabilities and innovative strength in the hardware industry.



Anti-loosening Nut Patent

We own the utility patent for anti-loosening nut seat and connection device, which effectively enhances the connection stability and reliability of our hardware products.



Furniture Anti-loosening Buckle Patent

This utility patent for furniture anti-loosening buckle provides professional solutions for furniture hardware, ensuring long-term stable connection for furniture components.



Easy-install Nut Seat Design Patent

We have obtained the design patent for our easy-to-install & easy-to-disassemble nut seat, combining innovative appearance design with practical, user-friendly functionality.

Certificates & Authorizations

Xintegu has obtained a number of international authoritative certifications, which fully prove that our management system, production process and product quality all meet the international standards, ensuring we can provide reliable services to global clients.



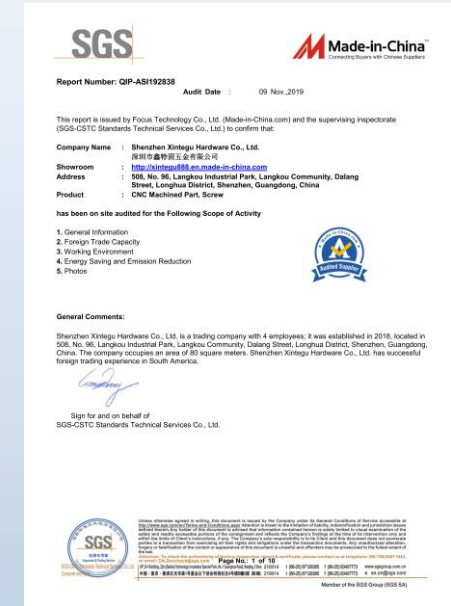
ISO 9001 Quality System Certification

We have obtained the ISO 9001:2015 quality management system certification, which proves that our production and quality control process fully meet the international standard requirements.



ISO 9001 Registration Certificate

This registration certificate validates our R&D and sales system of hardware products, ensuring we can provide stable, high-quality products to global clients.



SGS On-site Audit Certificate

We have passed the authoritative SGS on-site audit, which recognizes our factory's production capacity, working environment and professional foreign trade service capabilities.

Team Profile

Customer Visit



We are delighted to host our valued international clients and partners at Xintegu Hardware. During this visit, our guests toured our production facilities, reviewed our full product portfolio, and held in-depth discussions on customized hardware solutions, supply chain optimization, and upcoming collaborative projects.

This face-to-face exchange has further strengthened our mutual understanding and trust, laying a solid foundation for our long-term win-win partnership, as we work hand in hand to deliver high-quality, reliable hardware products to the global market

Team Profile

Industry Association Membership Certification



In September 2025, Xintegu Hardware was officially awarded the Member Unit Certification by the Intelligent Equipment Industry Association (IEIA).

This official recognition validates our professional capabilities, strict adherence to industry standards, and our active contribution to the development of the intelligent equipment industry. It further strengthens our credibility as a reliable, trusted hardware supplier in the global market.

Team Profile

Exhibition Participation



We actively participate in various industry exhibitions, both domestic and international. These events provide us with valuable opportunities to showcase our full range of hardware products, communicate face-to-face with global clients, and exchange insights with industry peers.

Through these exhibitions, we continuously expand our global business network, deepen our understanding of market demands, and bring our high-quality, customized hardware solutions to more partners around the world.

Case Studies

Case 1 (China)

Solved the problems of screw loosening, brittle fracture and rusting for Xiaomi, improving product reliability.

Case 2 (China)

Helped a well - known domestic electric vehicle brand solve the problems of wheel end fastening, anti - loosening and over -tightening, ensuring driving safety.

Case 3 (China)

The anti - loosening nuts of our company were tested in the Dashengguan Bridge section of Nanjing Metro, with remarkable results and obtained recognition.

Case 4 (China)

Solved the problem of screws and nuts loosening and detaching caused by the vibration of the crusher hopper for Hainan China Resources Runfeng Mining.

Case Studies

Case 5 (Peru)

Provided blind - hole screws for Peruvian customers of food grade machineparts, meeting their strict requirement of a 72 - hour salt spray test and ensuring excellent product corrosion resistance. The customers were very satisfied.

Case 6 (Malaysia)

Provided complex high precision bolts for Malaysian customers. The customers had sought many suppliers but failed to meet their ideal requirements. Finally, we perfectly solved the problem and met their high standard demands.

Case 7 (USA)

Supplied anti - loosening and easy - to - disassemble nut studs to an American furniture factory, effectively solving the problems of nut loosening and difficult disassembly and improving production efficiency.

Case 8 (Mexico)

Customers from a super - large Mexican fastener company visited our factory and conducted a third - party authoritative factory inspection. We customized screws with high requirements and nearly zero tolerance for them. The customers were very satisfied and a long - term cooperative relationship was successfully established.



Shenzhen Xintegu Hardware Co., Ltd.

www.szxintegu.com

Contact Us

Email

sales@szxintegu.com support@szxintegu.com
engineer@szxintegu.com consultant@szxintegu.com
sz@szxintegu.com

Overseas Offices

Brazil Office (Sao Paulo)

Correspondent: Daniel Lai
Brazil +55 11 98430-1596
Address: 912 Santana Ave,
Guarulhos
SP 07033-010

Korea Office (Incheon)

Correspondent: Daniel Lai
Korea +82 2-2265-0775
Korea ++82 10-9090-0666
Address: 2F, No.103, 307
Songnim-ro, Michuhol-gu,
Incheon

Business Contact

Domestic Business: Huang Yuedong
+86 131 2998 6637 (WeChat)

International Business: Aaron
WhatsApps: +86 18129983931
+86 18922922459

Headquarters Address

Address: 1st Floor, No.11 Fengming Road, Fengdeling, Fenggang Town, Dongguan City, Guangdong Province, China

Branch Address

Address: No.4, Middle Road, Fengchao Industrial Zone, Rongcheng District, Jieyang City, Guangdong Province, People's Republic of China

Innovative Fastening, Foundational Quality